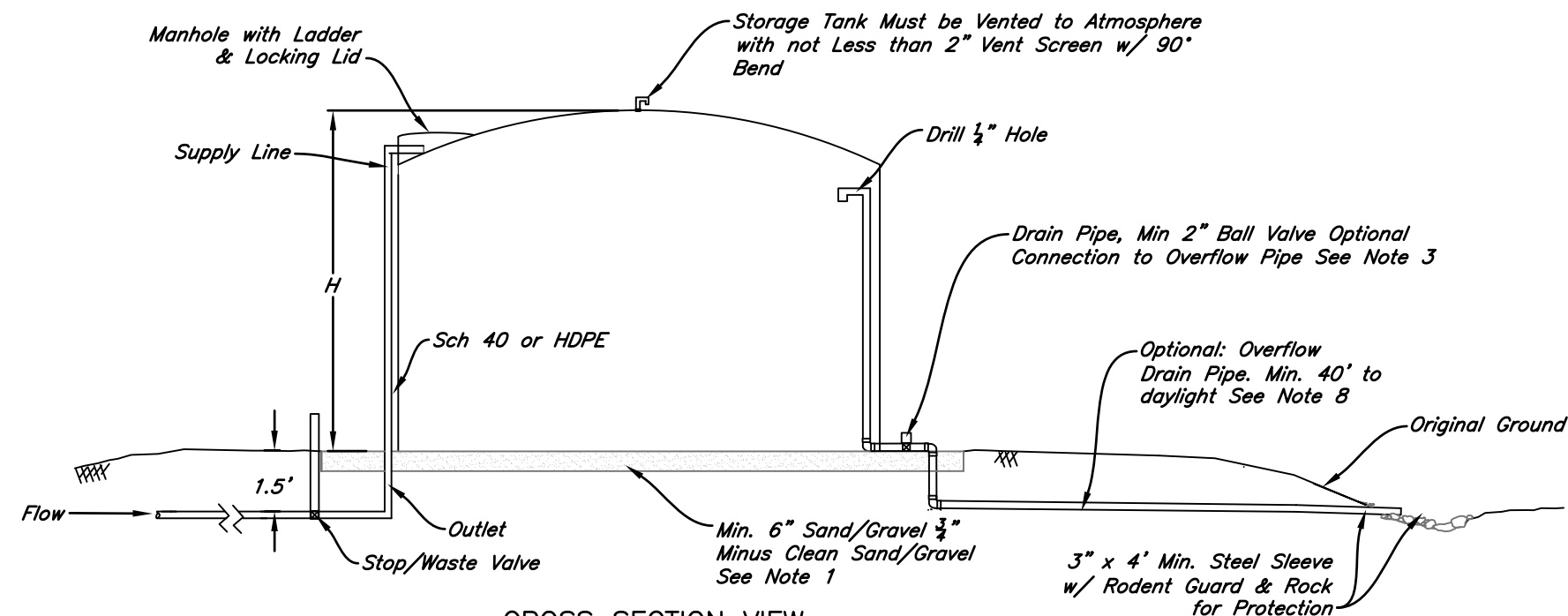


**PLAN VIEW**  
Not to Scale



**CROSS SECTION VIEW**  
Not to Scale

Tank Quantities					
	As Built		As Built		As Built
Tank Number					
Tank Height (H) Ft.					
Tank Diameter Ft.					
Tank Volume Gal.					
Sand/Gravel Bedding Cu.Yd.					

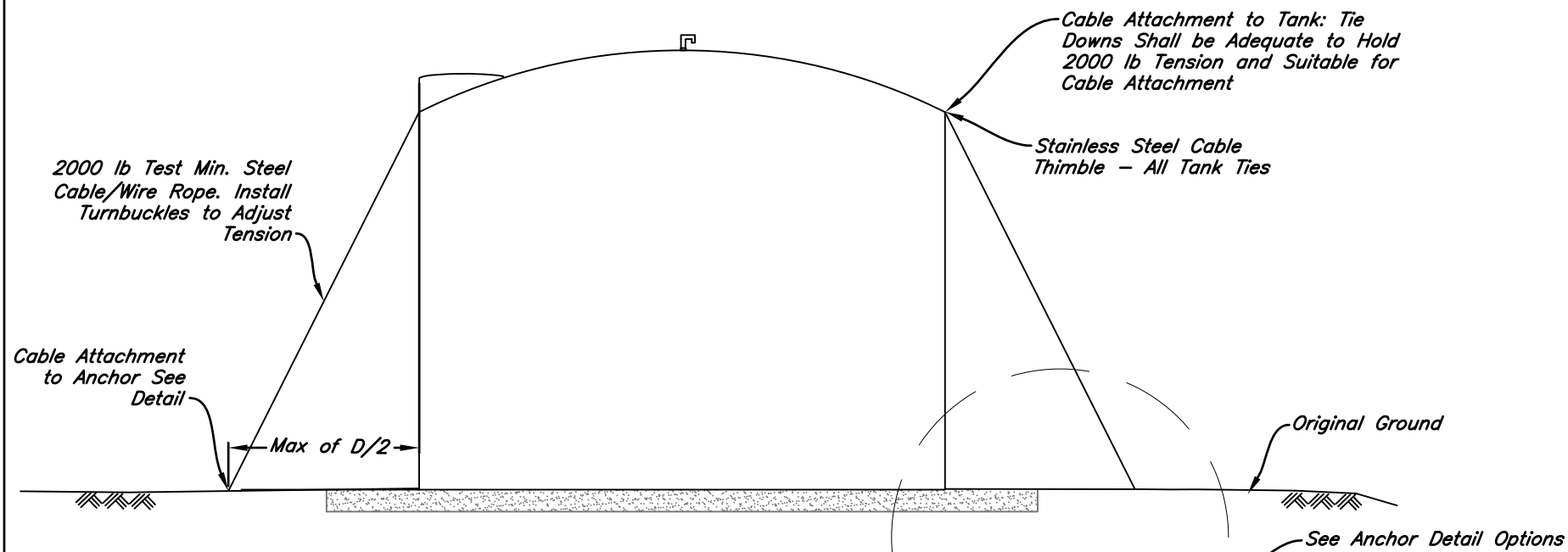
**CONSTRUCTION NOTES**

- In all cases the tank and apron area shall be stripped of all organics and the tank placed on a stable, well compacted foundation. Install min 6" of compacted fine gravel or sand on sites with clay soils with high shrink/swell potential. 2" Max. Dia. gravel. Optional on lighter or gravelly soils with little or no potential for shrink/swell. And in accordance with manufacturer's recommendations.
- Pipe between multiple tanks should be flexible to allow for settlement
- Drain and flush line should be located at the bottom or as close to the bottom of the storage tank as possible.
- Tank will be installed according to the manufacturer's recommendations.
- Fence above ground enclosed storage after installation to protect from livestock and wildlife.
- See Above Ground Enclosed Storage Anchoring sheet for details on anchoring the storage tank
- PVC pipe shall be made of ultraviolet (UV) resistant materials or shall have a durable coating of UV resistant paint to protect it from deterioration due to sunlight. PVC pipe used for access to appurtenances is exempt from this requirement.
- An overflow and drain pipe Sch 40 PVC with a minimum 2" diameter or at least 1/2" Dia. larger than the supply line, must be installed if the water level in the tank is not controlled with a float. The drain pipe shall be graded to allow drainage and a min. of 40' from the tank. Protect drain pipe at outlet end by backfilling over pipe with field stone.

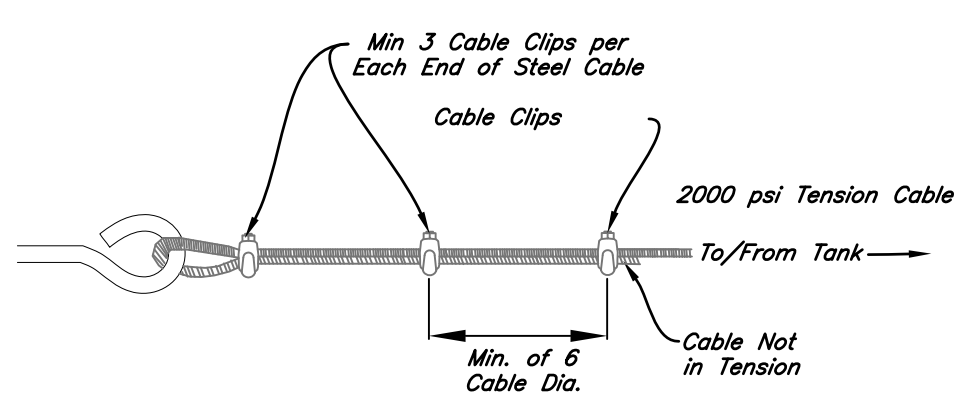
Date \_\_\_\_\_  
 Designed \_\_\_\_\_  
 Drawn Cassie Ahmed 03-22-2024  
 Checked \_\_\_\_\_  
 Approved \_\_\_\_\_

**ABOVE GROUND ENCLOSED STORAGE**  
 OWNER: \_\_\_\_\_  
 COUNTY: \_\_\_\_\_

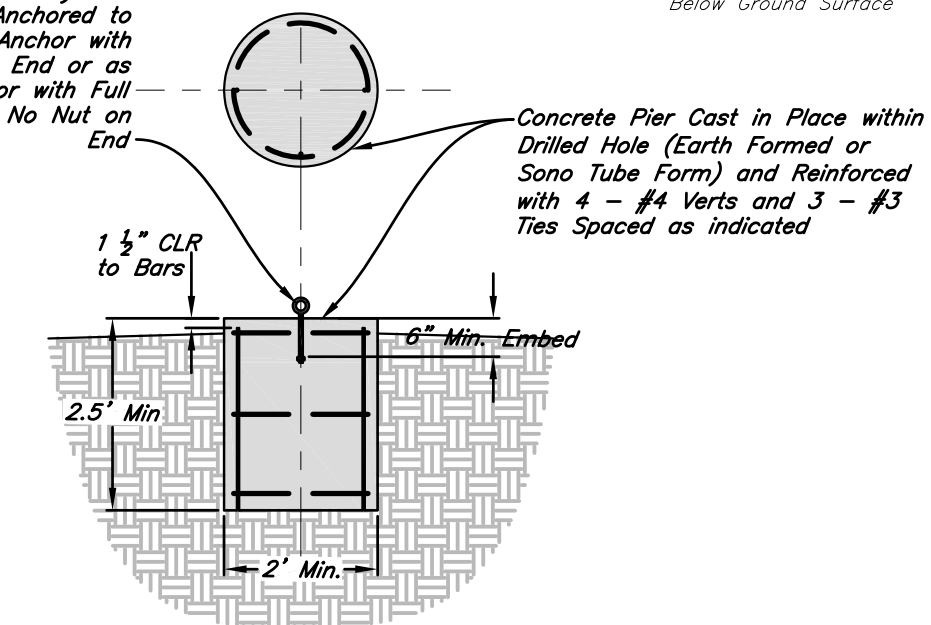
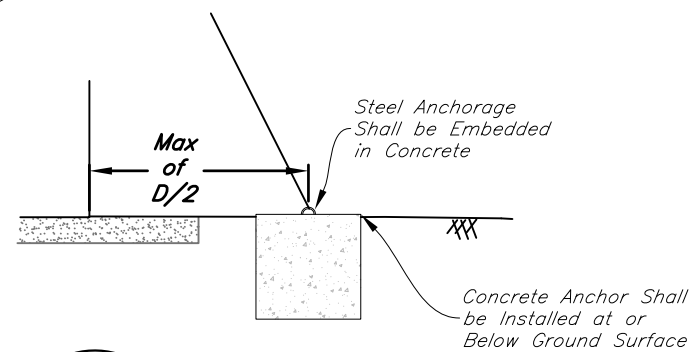
United States Department of Agriculture  
**USDA**  
 Natural Resources Conservation Service  
 File Name ND-DWG-100A  
 Date 03-22-2024  
 Sheet \_\_\_\_\_ of \_\_\_\_\_



**TANK ANCHORS DETAIL  
ELEVATION VIEW**  
Not to Scale

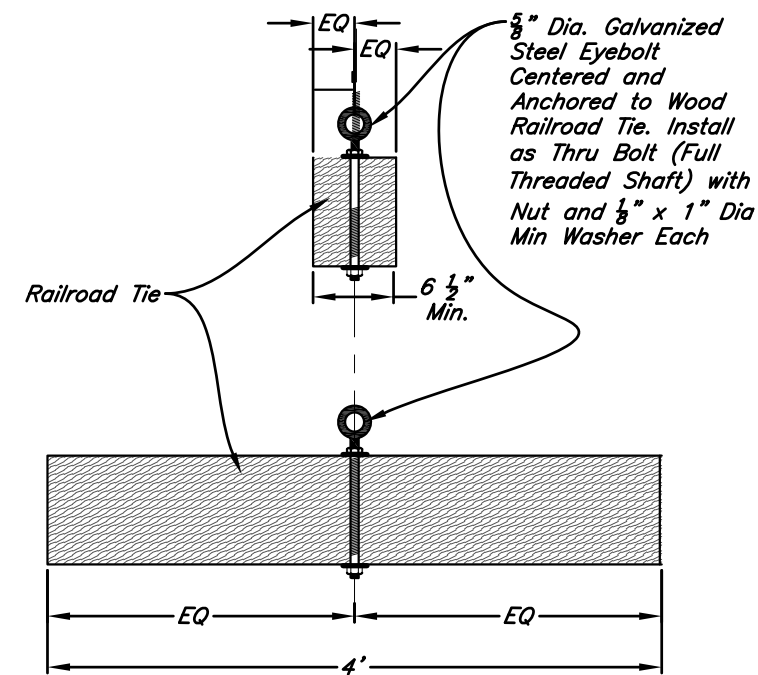
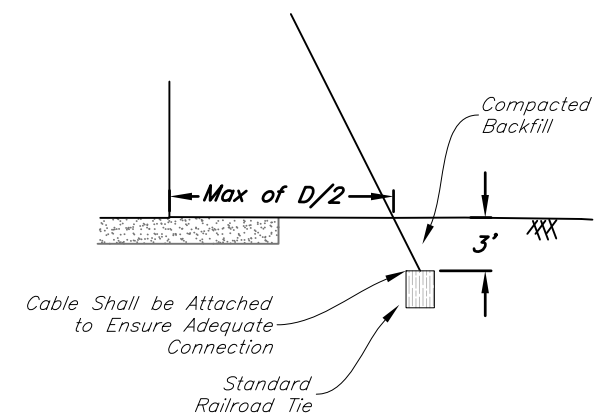


**CABLE ATTACHMENT DETAIL**  
Not to Scale



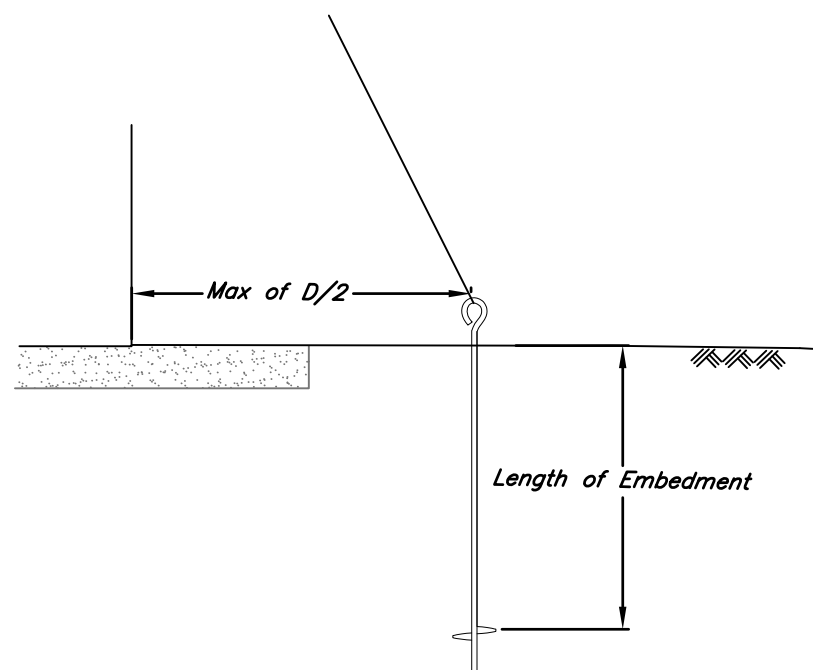
Note: Min Concrete Anchor Requirements: 2 Anchors Min.

**CONCRETE ANCHOR ELEVATION VIEW**  
Not to Scale



Note: Min Rail Tie Anchor Requirements: 2 Anchors Min. Bury Depth of 3'

**RAIL TIE ANCHOR ELEVATION VIEW**  
Not to Scale



Note: Min Earth Anchor Requirements: 2 Anchors Min. 43" Length, 5/8" Shaft Dia and 3" Disc Dia.

**GROUND ANCHOR ELEVATION VIEW**  
Not to Scale

Date \_\_\_\_\_  
Designed \_\_\_\_\_  
Drawn Cassie Ahmed 03-22-2024  
Checked \_\_\_\_\_  
Approved \_\_\_\_\_

ABOVE GROUND ENCLOSED STORAGE ANCHORING

OWNER: \_\_\_\_\_

COUNTY: \_\_\_\_\_

United States  
Department of  
Agriculture



Natural Resources  
Conservation Service

File Name  
ND-DWG-100B

Date  
03-22-2024

Sheet of \_\_\_\_\_